

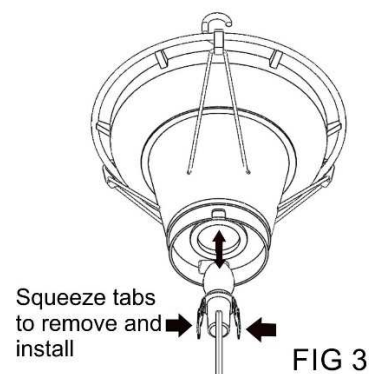
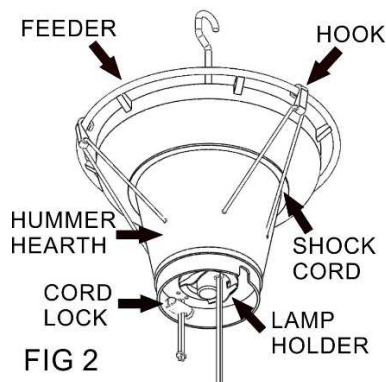
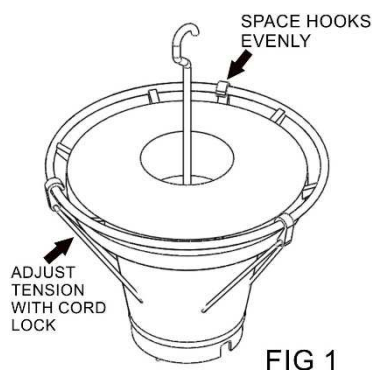
Hummer-Hearth Use Instructions

The Hummer Hearth will fit feeders with a ring type perch and a bottom without protrusions so the product can be directly in contact with the bottom of the feeder. This creates a warm pocket of air which heats the bottom of the feeder. Do not use if when attached to feeder the bulb is in contact with the feeder. There must be clearance between the bulb and any surface on the feeder.

1. Initial adjustment- The hummer hearth is attached to the feeder with three hooks that engage the ring perch. These hooks are attached to shock cord which is adjusted by squeezing the cord lock and moving the cord lock along the shock cord. Do not install lamp holder. For bowl type feeders remove the hanging hook, for bottle type feeders remove bottle. Turn the feeder over and place the Hummer-hearth on top of the feeder. Connect the hooks to the ring perch and use the cord lock to adjust the tension of the shock cords. Adjust the tension on each hook by removing slack or tension as needed until all three hooks have about the same tension and are spaced evenly. It's best to have just enough tension to hold the Hummer-Hearth against the bottom of the feeder. Once properly adjusted this step is not required every time the feeder is filled. See Fig 1 & 2
2. Filling Bowl type feeder-With the lamp holder removed, place the Hummer Hearth upright on a flat surface, place the bowl feeder on top of the Hummer-Hearth. Fill the feeder. Replace the feeder top. Now holding the feeder down against the Hummer Hearth with one hand, attach the hooks to the ring perch with the other hand. Adjust for even tension and spacing between hooks. Attach the ant moat cover.
3. Filling bottle type Feeder- With the lamp holder removed place the Hummer-Hearth on a flat surface, place the Feeder bottom on top of the Hummer-Hearth. Now holding the feeder down against the Hummer Hearth with one hand, attach the hooks to the ring perch with the other hand. Adjust for even tension and spacing between hooks. Fill the bottle, screw the base with the Hummer-Hearth attached to the filled bottle.
4. Hang Feeder with the Hummer-hearth attached normally. Remove packing material from lamp holder. Be sure the lamp holder is not plugged into power. Squeeze the two metal tabs on the lamp holder together and insert the lamp holder into the round hole in the base of the Hummer-Hearth until the metal tabs snap in place. See Fig 3. Release the metal tabs and check that the lamp holder is firmly attached into the hummer hearth.
5. Plug the lamp holder cord into a GFCI outlet. (see safety instructions) Verify that the bulb is working.
6. Removing feeder for filling- Unplug lamp holder cord, squeeze metal tabs on lamp holder together remove from Hummer-Hearth. See Fig 3 Follow filling instructions in reverse order to prepare for refilling.

Tips for use- The Hummer Hearth is supplied with a 7 watt Candelabra C7 bulb as a heat source. The key is to heat the feed gently without overheating. Generally this will keep a small feeder thawed to about 15 degrees F. feeder size, shape and wind conditions can effect this greatly. A 15 watt candelabra bulb (not supplied) can be used which will keep smaller feeders thawed to about 5 degrees F.

Again this is only an approximation. Never install a bulb of wattage higher than 15 watts. For best results attach the hummer hearth to a small bottle type feeder. You may want to consider purchasing a feeder specifically for use with the hummer hearth during the cold months and switch back to a decorative type feeder during the remainder of the year.



IMPORTANT SAFETY INSTRUCTIONS

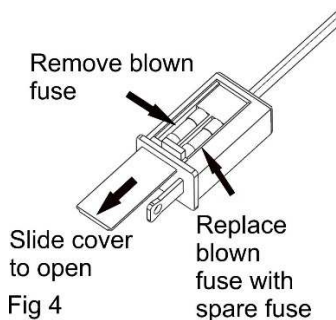
When using electrical equipment the following precautions should always be followed

READ AND FOLLOW ALL SAFETY INSTRUCTIONS

1. When product is used in outdoor application connect to Ground Fault Circuit Interrupting outlet (GFCI) only.
2. This product is intended for seasonal use not for permanent use or installation.
3. Do not mount or place near gas or electric heaters, fireplace, candles or other sources of heat.
4. Do not secure the product wiring with staples or nails or place over any sharp object which can cut wiring.
5. Do not let bulb touch on wiring or any other surface when in use.
6. Unplug product when not in use.
7. To avoid risk of fire, burns, personal injury and electrical shock, this product should not be played with or placed where small children can reach it.
8. Do not use this product for anything other than its intended use.
9. Do not hang other objects from lamp holder, cord or plug.
10. Do not close doors or window on wiring or extension cords feeding product as this can damage insulation and pose a hazard.
11. For safety this product incorporates a polarized plug, one blade is larger than the other. For this reason it must be used only with a polarized outlet or extension cord. If the plug will not fully insert into outlet or extension cord, reverse plug. If plug does not fit don't not use.
12. Do not alter replace or force plug into a non-polarized outlet or extension cord.
13. When removing plug from outlet or extension cord always grasp the plug, do not pull on the cord.
14. For safety this product incorporates a fuse for overload protection. This fuse is housed inside the plug. If the fuse blows this was caused by a malfunction. Possible malfunctions can be water in the lamp holder, damage to the cord, damage to the plug or lamp holder. Remove plug from outlet or extension cord, inspect product carefully. If no damage or water if found the blown fuse can be replaced with the spare fuse found in the plug. If the replaced fuse blows also, unplug product, do not use product until a qualified electrician has inspected the product and determined it is safe to operate.
15. Read and follow all instructions supplied with product.
16. Use only candelabra base (E12) C7 bulbs.
17. Do not use a bulb over 15 watts
18. Do not use any bulb which makes contact with any surface of hummer-Hearth or feeder

REPLACING FUSE

1. Unplug product
2. Slide open fuse cover. See Fig 4
3. Remove blown fuse and replace with spare fuse.
4. Replace with 5 amp maximum fuse.
5. Slide cover fully shut before using



Hummer Heart Warranty Statement

This product is warrantied for a period of 90 days from date of purchase. Items included in this warranty: Materials and workmanship that affect product performance. Items not covered by warranty: Misuse of product, Light bulbs, Cosmetic defects. For warranty claims please contact seller.

Innovation Industries LLC Covington, WA 98042
info@hammerhearth.com Phone 425-240-3757

7-25-2017